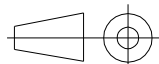
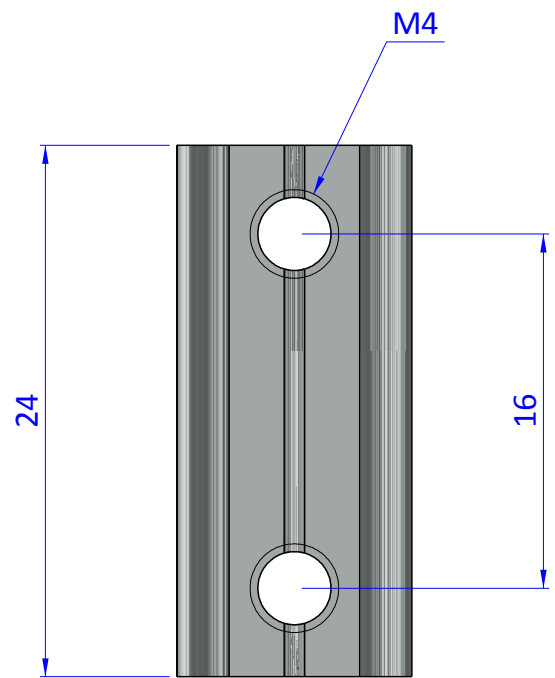
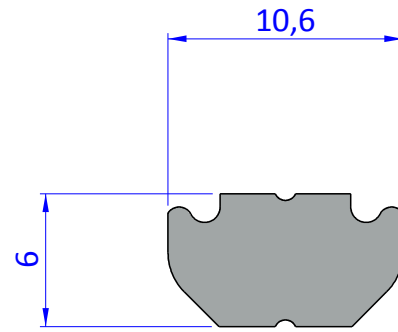
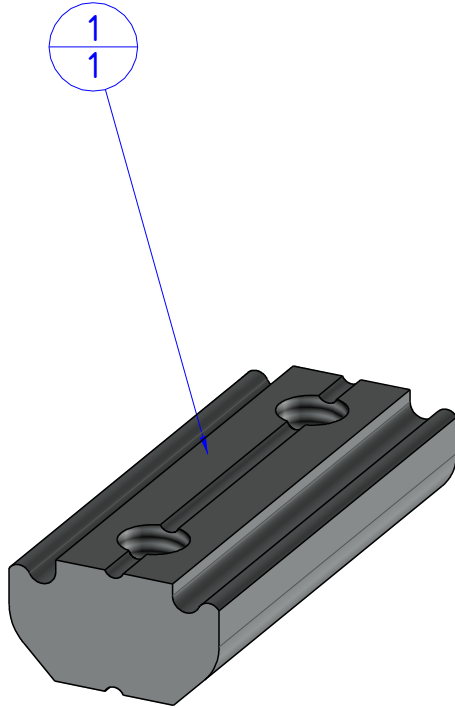


THE PROPERTY OF THE DRAWING IS ESTABLISHED BY LAW. IT IS FORBIDDEN TO PRODUCE OR SHOW IT TO THIRD PART. WITHOUT A WRITTEN AGREEMENT.

Item	Name	Q.ty
1	GWP.4.16	1



Format A4
UNI 936-76

GENERAL TOLERANCE
UNI - ISO 2768
CLASSE f

DESCRIPTION
CA.GWP.4.16

DESIGNED FROM FP SERVICES	REVIEW A / 3
DATE 10/10/2018	WEIGHT 0,009kg
CODE CA.GWP.4.16	